

SFP VOA

Features

- SFP Format, compact size
- Fast response time
- Hot pluggable
- I2C Communication Interface
- Low power consumption
- With PD monitor (option)



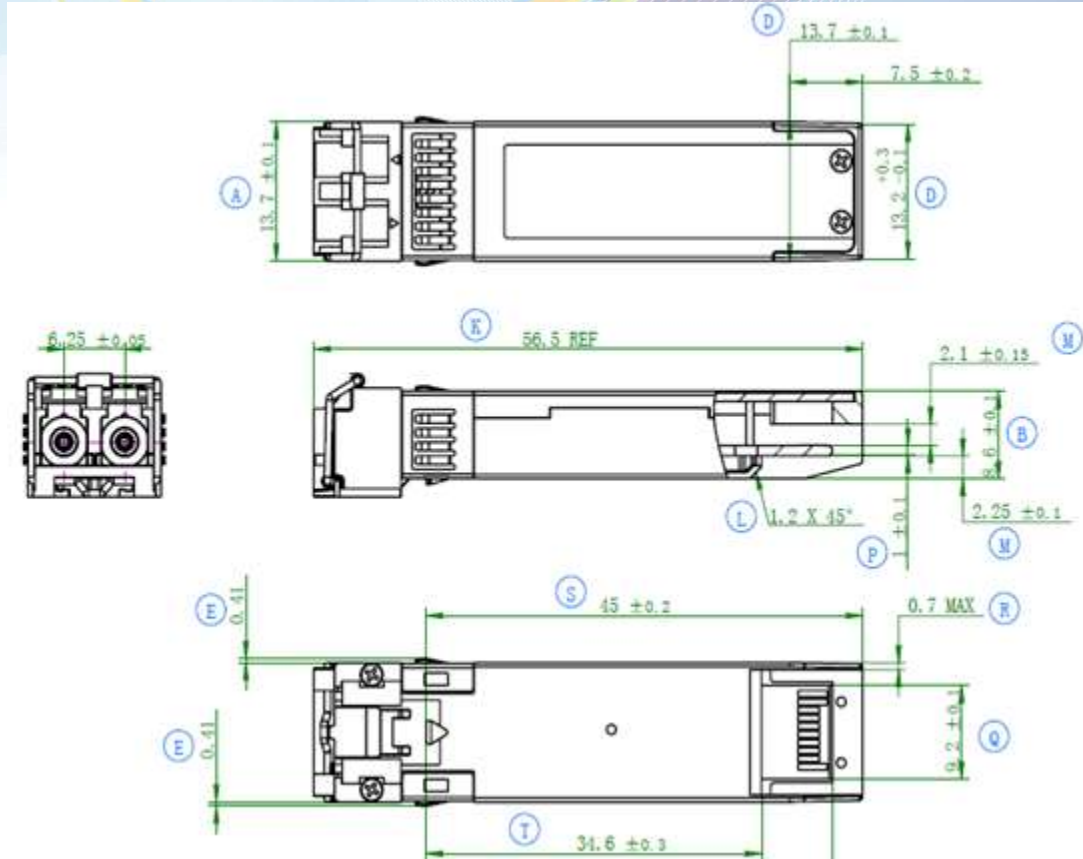
Applications

- 40/100G Optical network power management
- Channel equalization

Main Specifications

Parameter		Max	Min	Specification	Unit
Attenuation Type				Dark or Bright	
Wavelength Range				1520~1570	nm
Insertion Loss @ Without PD		√		2.0	dB
Insertion Loss @ With PD		√		2.5	dB
Attenuation Dynamic Range			√	20	dB
Wavelength Dependence Loss	0~10dB	√		0.7	dB
	10~20dB	√		1.5	dB
Polarization Dependent Loss	0~10dB	√		0.3	dB
	10~20dB	√		0.5	dB
Attenuation Accuracy	0~10dB	√		±1.5	dB
	10~20dB	√		±2.0	dB
Power Monitor Accuracy		√		±1.0	dB
Attenuation Response Time		√		300	ms
Maximum Input Power			√	23	dBm
Return Loss			√	40	dB
Operating Temperature Range				-5~+70	°C
Storage Temperature Range				-40~+85	°C

Dimensions



Order Information

The above specifications represent the typical performance of an O-Net VOA of this category.

Please contact our Sales to discuss your specific requirements.